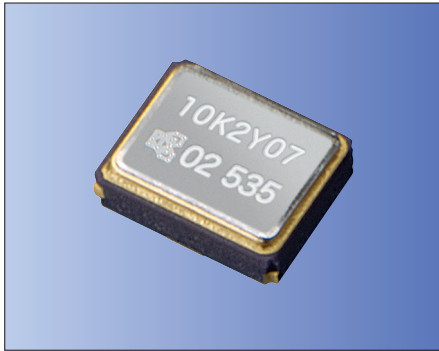


# Temperature Compensated Crystal Oscillators (TCXO) Surface Mount Type TCXO (LSI Type) KT2520 Series for GPS



2.5×2.0mm



RoHS Compliant

## Features

- Ultra-miniature SMD type (2.5×2.0×0.8mm)
- Freq. temp. chrst. :  $\pm 0.5 \times 10^{-6} / -30$  to  $+85^\circ\text{C}$
- 1.7 to 3.6V drive available
- Reflow compatible
- Temperature sensor output (Option)

## Applications

- GPS Units

## How to Order

KT2520P 27456 A C W 18 T xx  
① ② ③ ④ ⑤ ⑥ ⑦ ⑧

### ① Series

\*As for 1.8V type and temperature sensor output type, series name shall be KT2520F.

### ② Output Frequency

### ③ Freq. Temp. Chrst.

A	$\pm 0.5 \times 10^{-6}$
---	--------------------------

### ④ Lower Operating Temp.

C	$-30^\circ\text{C}$
E	$-20^\circ\text{C}$
G	$-10^\circ\text{C}$

### ⑤ Upper Operating Temp.

W	$+85^\circ\text{C}$
V	$+80^\circ\text{C}$
U	$+75^\circ\text{C}$

### ⑥ Supply Voltage

18	1.8V	28	2.8V
----	------	----	------

### ⑦ Voltage Control Range

T	TCXO
---	------

### ⑧ Option Code

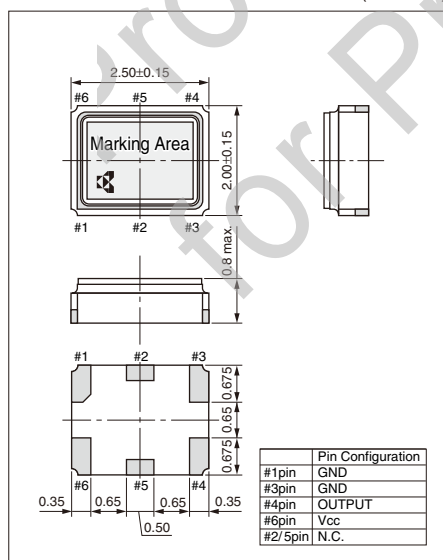
Packaging (Tape & Reel 3000 pcs./ reel)

## Specifications

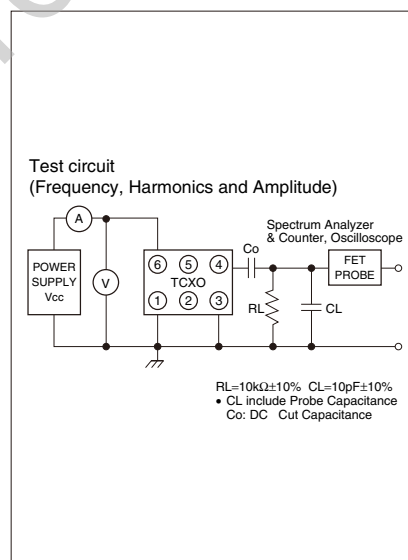
Item	Symbol	Conditions	Min.	Max.	Units
Output Frequency Range	$f_o$	Standard Frequency: 16.368, 16.369, 19.2, 23.104, 26, 27.456, 33.6	—	—	MHz
Frequency Tolerance	$f_{tol}$	vs Temperature	-0.5	+0.5	$\times 10^{-6}$
		vs Load	-0.1	+0.1	
		vs Voltage	-0.2	+0.2	
Frequency Aging	$f_{age}$	Per Year	-1	+1	$\times 10^{-6}$
Storage Temperature Range	$T_{stg}$		-40	+85	$^\circ\text{C}$
Operating Temperature Range	$T_{use}$		-30	+85	$^\circ\text{C}$
Supply Voltage	$V_{cc}$		1.7	3.6	V
Output Level	$V_{pp}$	10k ohm // 10pF	0.8	—	Vp-p
Current Consumption	$I_{cc}$		—	2	mA
Harmonics	—		—	-5	dBc

## Dimensions

(Unit: mm)



## Test Circuit



## Recommended Land Pattern

(Unit: mm)

