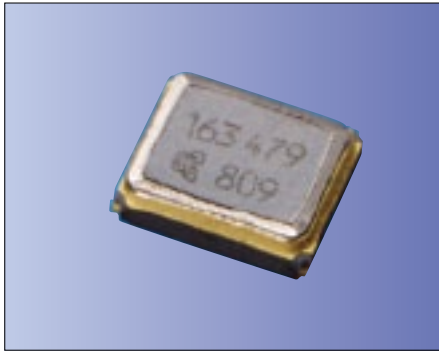


Temperature Compensated Crystal Oscillators (TCXO) Surface Mount Type TCXO (LSI Type) KT2016 Series



2.0×1.6mm



RoHS Compliant

Features

- Miniature SMD type (2.0×1.6×0.8mm)
- AFC function available
- Freq. temp. characteristics: $\pm 2.0 \times 10^{-6}/ -30$ to $+85^\circ\text{C}$
- 1.68 to 3.45V drive available
- Reflow compatible

Applications

- 3G (CDMA, W-CDMA, TD-SCDMA), GPRS, GSM, W-LAN, WiMAX

How to Order

KT2016A 26000 D C W 28 T xx
① ② ③ ④ ⑤ ⑥ ⑦ ⑧

① Series	⑥ Supply Voltage
② Output Frequency	28 2.8V 30 3.0V
③ Freq. Temp. Chrst.	⑦ Voltage Control Range
B $\pm 1.0 \times 10^{-6}$	T TCXO
C $\pm 1.5 \times 10^{-6}$	Other* VCTCXO
D $\pm 2.0 \times 10^{-6}$	* Customer Spec.
④ Lower Operating Temp.	⑧ Option Code
C -30°C	
E -20°C	
G -10°C	
⑤ Upper Operating Temp.	
W $+85^\circ\text{C}$	
V $+80^\circ\text{C}$	
U $+75^\circ\text{C}$	

Packaging (Tape & Reel 4000 pcs./ reel)

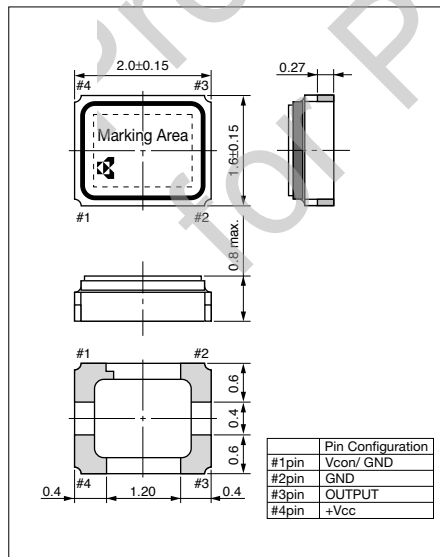
Specifications

Item	Symbol	Conditions	Min.	Max.	Units
Output Frequency Range	f_o	Standard Frequency: 13, 19.2, 26, 38.4, 52	13	52	MHz
Frequency Tolerance	f_{tol}	vs Temperature	-2	+2	$\times 10^{-6}$
		vs Load	-0.1	+0.1	
		vs Voltage	-0.2	+0.2	
Frequency Aging	f_{age}	Per Year	-1	+1	$\times 10^{-6}$
Storage Temperature Range	T_{stg}		-40	+85	$^\circ\text{C}$
Operating Temperature Range	T_{use}		-30	+85	$^\circ\text{C}$
Voltage Control Range	f_{cont}	Positive	± 8	± 15	$\times 10^{-6}$
Supply Voltage	V_{cc}		1.68	3.45	V
Output Level	V_{pp}	Clipped Sine*, Load: 10k ohm // 10pF	0.8	-	Vp-p
Current Consumption	I_{cc}		-	2	mA
Harmonics	-		-	-5	dBc

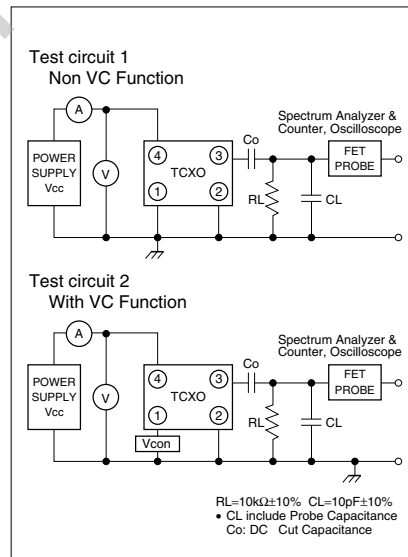
* : A DC-cut capacitor is not embedded in this crystal oscillator. Connect a DC-cut capacitor ($\geq 1\text{nF}$) to the line-out terminal of the oscillator.

Dimensions

(Unit: mm)



Test Circuit



Recommended Land Pattern

(Unit: mm)

