



RoHS Compliant

**Features**

- Miniature SMD type (3.2x2.5x1.0mm)
- Freq. temp. characteristics:  $\pm 0.5 \times 10^{-6} / -30$  to  $+85^\circ\text{C}$
- 2.3 to 3.9V drive available
- Reflow compatible

**Applications**

- GPS Units

**How to Order**

KT3225P 26000 A C W 28 T xx  
① ② ③ ④ ⑤ ⑥ ⑦ ⑧

- ① Series
  - ② Output Frequency
  - ③ Freq. Temp. Chrst.
  - ④ Lower Operating Temp.
  - ⑤ Upper Operating Temp.
  - ⑥ Supply Voltage
  - ⑦ Voltage Control Range
  - ⑧ Option Code
- |          |                          |
|----------|--------------------------|
| <b>A</b> | $\pm 0.5 \times 10^{-6}$ |
| <b>C</b> | -30°C                    |
| <b>E</b> | -20°C                    |
| <b>G</b> | -10°C                    |
| <b>W</b> | +85°C                    |
| <b>V</b> | +80°C                    |
| <b>U</b> | +75°C                    |
- |           |      |           |      |
|-----------|------|-----------|------|
| <b>28</b> | 2.8V | <b>30</b> | 3.0V |
| <b>T</b>  | TCXO |           |      |

Packaging (Tape & Reel 3000 pcs./reel)

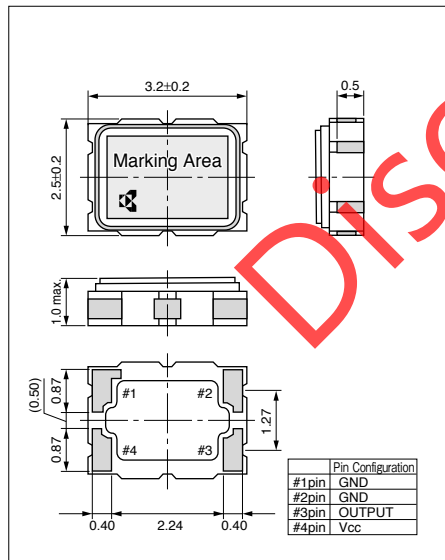
**Specifications**

Item	Symbol	Conditions	Min.	Max.	Units
Output Frequency Range	f <sub>o</sub>	Standard Frequency: 16.368, 16.369, 19.2, 24.5536, 26, 27.456	16	52	MHz
Frequency Tolerance	f <sub>tol</sub>	vs Temperature	-0.5	+0.5	×10 <sup>-6</sup>
		vs Load	-0.1	+0.1	
		vs Voltage	-0.2	+0.2	
Frequency Aging	f <sub>age</sub>	Per Year	-1	+1	×10 <sup>-6</sup>
Storage Temperature Range	T <sub>stg</sub>		-40	+85	°C
Operating Temperature Range	T <sub>use</sub>		-30	+85	°C
Supply Voltage	V <sub>cc</sub>		2.3	3.9	V
Output Level	V <sub>pp</sub>	Clipped Sine*, Load: 10k ohm // 10pF	0.8	—	Vp-p
Current Consumption	I <sub>cc</sub>		—	2	mA
Harmonics	—		—	-5	dBc

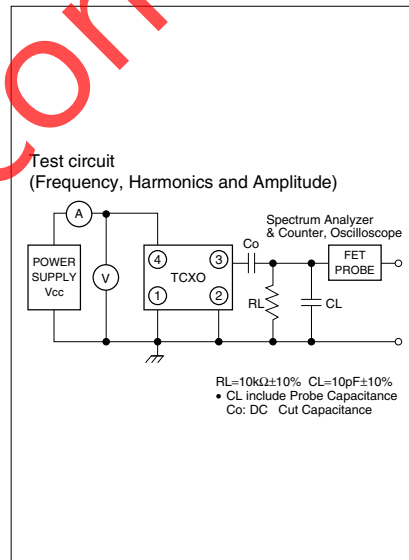
\* : A DC-cut capacitor is not embedded in this crystal oscillator. Connect a DC-cut capacitor (≥1nF) to the line-out terminal of the oscillator.

**Dimensions**

(Unit: mm)



**Test Circuit**



**Recommended Land Pattern**

(Unit: mm)

