

3.2x2.5mm



Pb Free

RoHS Conforming

Features

- Ultra-miniature SMD Type (3.2x2.5x1.0mm)
- Reflow compatible
- AFC function available
- 2.3 to 3.5V drive available
- Frequency Stability : ±2.0ppm at -30°C to +85°C

Applications

- PDC, GSM, CDMA

How to Order

KT21 - D C V 30 □ - 19.680M - T
① ② ③ ④ ⑤ ⑥ ⑦ ⑧

① Series

K	±5ppm
E	±2.5ppm
D	±2.0ppm

③ Lower operating temp

C	-30°C
E	-20°C
G	-10°C

④ Upper operating temp

W	85°C
V	80°C
U	75°C

⑤ Supply Voltage

28	2.8V	30	3.0V
----	------	----	------

⑥ Option Code

⑦ Frequency(MHz)

12.600	19.200	26.000
13.000	19.440	38.400
14.400	19.680	
16.800	19.800	

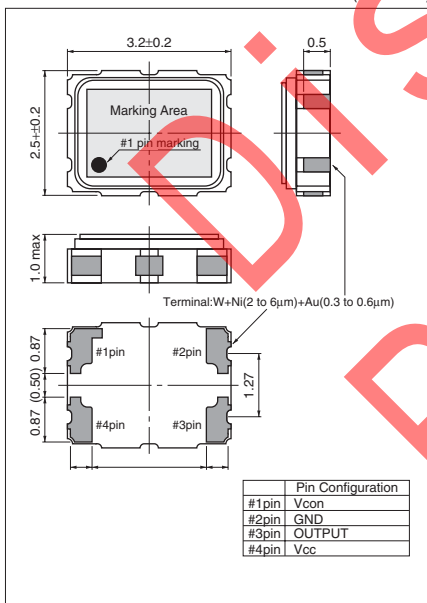
⑧ Packaging

T	Tape & Reel
	2,000pcs/Reel

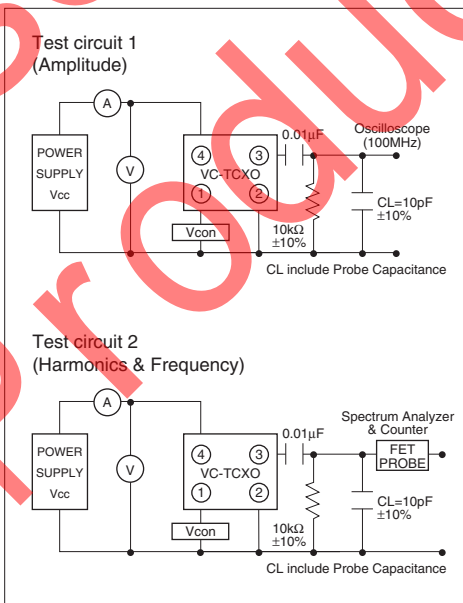
Specifications

Item	Symbol	Conditions	Min.	Max.	Units
Output Frequency Range	f_{OUT}		12.6	38.4	MHz
Frequency Stability	$\Delta f/f_0$	vs Temperature	-2.0	+2.0	ppm
		vs Load	-0.2	+0.2	
		vs Voltage	-0.3	+0.3	
Storage Temp. Range	T_{STG}		-40	+85	°C
Operating Temp. Range	T_{OPR}		-30	+85	°C
Aging	Δf_{aging}	Per Year	-1	1	ppm
Voltage control range	$\Delta f/V$	Positive	+/-8	+/-15	ppm
Supply Voltage	V_{DD}		2.3	3.5	Volt
Output Voltage	V_{out}	10k ohm // 10pF	0.8	—	Vp-p
Current Consumption	I_{DD}		—	2.0	mA
Duty Ratio	SYM	@50% V_{DD}	40	60	%
Harmonics	—		—	-5	dBc

Dimensions



Test Circuit



Recommended Land Pattern (Unit: mm)

