

RoHS Compliant

**Features**

- Miniature SMD type (2.0×1.6×0.8mm)
- Freq. temp. characteristics:  $\pm 0.5 \times 10^{-6} / -30$  to  $+85^\circ\text{C}$
- 1.68 to 3.45V drive available
- Reflow compatible
- Disable Function (Option)

**Applications**

- GPS Unit

**How to Order**

KT2016A 26000 A C W 18 T xx  
① ② ③ ④ ⑤ ⑥ ⑦ ⑧

- ① Series
  - ② Output Frequency
  - ③ Freq. Temp. Chrst.
  - ④ Lower Operating Temp.
  - ⑤ Upper Operating Temp.
  - ⑥ Supply Voltage
  - ⑦ Voltage Control Range
  - ⑧ Option Code
- |   |                          |
|---|--------------------------|
| A | $\pm 0.5 \times 10^{-6}$ |
| C | -30°C                    |
| E | -20°C                    |
| G | -10°C                    |
| W | +85°C                    |
| V | +80°C                    |
| U | +75°C                    |
- |    |                  |    |      |
|----|------------------|----|------|
| 18 | 1.8V             | 28 | 2.8V |
| T  | TCXO             |    |      |
| N  | Disable Function |    |      |

Packaging (Tape & Reel 4000 pcs./reel)

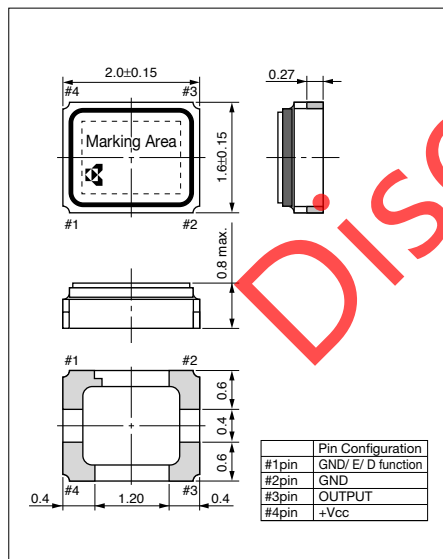
**Specifications**

Item	Symbol	Conditions	Min.	Max.	Units
Output Frequency Range	fo	Standard Frequency: 16.368, 16.369, 19.2, 26, 27.456, 33.6, 38.4, 52	18	52	MHz
Frequency Tolerance	f <sub>tol</sub>	vs Temperature	-0.5	+0.5	×10 <sup>-6</sup>
		vs Load	0.1	+0.1	
		vs Voltage	-0.2	+0.2	
Frequency Aging	f <sub>age</sub>	Per Year	-1	+1	×10 <sup>-6</sup>
Storage Temperature Range	T <sub>stg</sub>		-40	+85	°C
Operating Temperature Range	T <sub>use</sub>		-30	+85	°C
Supply Voltage	V <sub>CC</sub>		1.68	3.45	V
Output Level	V <sub>pp</sub>	Clipped Sine*, Load: 10k ohm // 10pF	0.8	—	Vp-p
Current Consumption	I <sub>CC</sub>		—	2	mA
Harmonics	—		—	-5	dBc

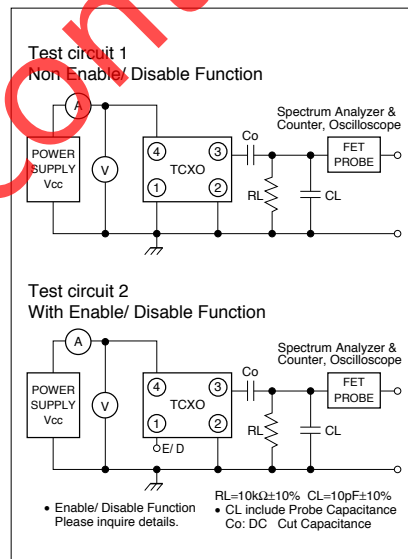
\* : A DC-cut capacitor is not embedded in this crystal oscillator. Connect a DC-cut capacitor (≥1nF) to the line-out terminal of the oscillator.

**Dimensions**

(Unit: mm)



**Test Circuit**



**Recommended Land Pattern**

(Unit: mm)

