

5.0×3.2mm



Pb Free

RoHS Conforming

**Features**

- Ultra-miniature SMD Type (5.0x3.2x1.5mm)
- Reflow compatible
- AFC function available
- 2.3 to 3.5V drive available
- Frequency Stability : ±2.0ppm at -30°C to +85°C

**Applications**

- PDC, GSM, CDMA

**How to Order**

KT18B - D C V 30 □ - 19.680M - T  
① ② ③ ④ ⑤ ⑥ ⑦ ⑧

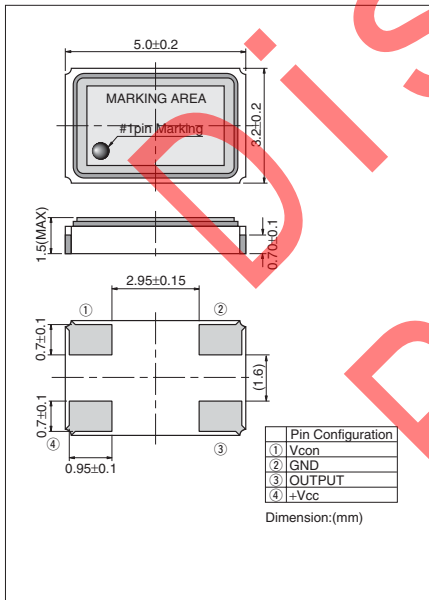
① Type	⑤ Supply Voltage
② Frequency stability	28 2.8V 30 3.0V
<b>K</b> ±5ppm	⑥ Option Code
<b>E</b> ±2.5ppm	⑦ Frequency(MHz)
<b>D</b> ±2.0ppm	13.000 19.200 19.800
③ Lower operating temp	14.400 19.440 26.000
<b>C</b> -30°C	16.800 19.680
<b>E</b> -20°C	⑧ Packaging
<b>G</b> -10°C	<b>T</b> Tape & Reel
④ Upper operating temp	4,000pcs/Reel
<b>W</b> 85°C	
<b>V</b> 80°C	
<b>U</b> 75°C	

**Specifications**

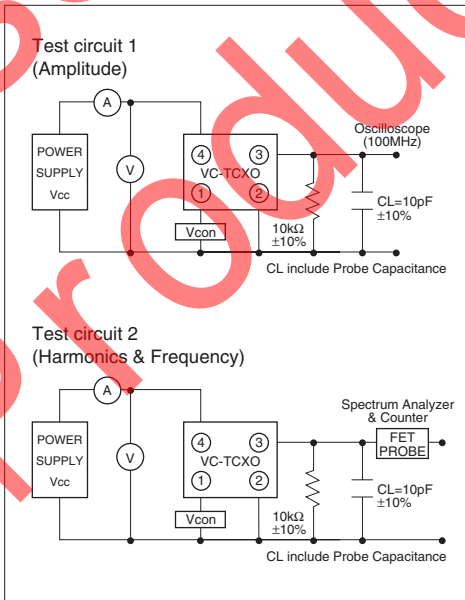
Item	Symbol	Conditions	Min.	Max.	Units
Output Frequency Range	$f_{OUT}$		13	26	MHz
Frequency Stability	$\Delta f/f_0$	vs Temperature	-2.0	+2.0	ppm
		vs Load	-0.2	+0.2	
		vs Voltage	-0.3	+0.3	
Storage Temp. Range	$T_{STG}$		-40	+85	°C
Operating Temp. Range	$T_{OPR}$		-30	+85	°C
Aging	$\Delta f_{aging}$	Per Year	-1	1	ppm
Voltage control range	$\Delta f/V$	Positive	+/-8	+/-15	ppm
Supply Voltage	$V_{DD}$		2.3	3.5	Volt
Output Voltage	$V_{out}$	10k ohm // 10pF	0.8	—	Vp-p
Current Consumption	$I_{DD}$		—	2.0	mA
Duty Ratio	SYM	@50% $V_{DD}$	40	60	%
Harmonics	—		—	-5	dBc

**Dimensions**

(Unit: mm)



**Test Circuit**



**Recommended Land Pattern**

(Unit: mm)

