

5.0×3.2mm



Pb Free

RoHS Comforming

Features

- Reference frequency for telecommunication systems
- Reflow compatible
- Using Ceramic Package resulting in high reliability
- Small, low profile and market standard dimensions

Applications

- Cellular phone, IC Card, GPS
- Remote keyless entry

How to Order

KSX-35-13000K C A-Q C 0 R
① ② ③ ④ ⑤ ⑥ ⑦ ⑧

- ① Type
- ② Nominal Frequency

Code	Freq.(kHz)	Code	Freq.(kHz)
13000K	13000.000	19440K	19440.000
13560K	13560.000	19680K	19680.000
14400K	14400.000	19800K	19800.000
16800K	16800.000	26000K	26000.000
19200K	19200.000		

* Please inquire about frequencies other than the above.

- ③ Load Capacitance

C	12pF
---	------

- ④ Frequency Stability

A	±10ppm
---	--------

- ⑤ Operating Temperature

Q	-30°C to +85°C
---	----------------

- ⑥ Frequency Temperature Stability

C	±15ppm
---	--------

- ⑦ Frequency Offset

0	0Hz(Standard)
---	---------------

- ⑧ Packaging

R	Taping
---	--------

Specifications

Items	Symbol	Specification	Units	Remarks
Frequency Range	Fo	12600~27820	kHz	
Overtone Order	—	Fundamental	—	
Frequency Tolerance	ΔF/F	±10	ppm	@ 25°C
Frequency Temperature Character	ΔF/T	±15	ppm	ref@ 25°C Over Operating Temp Range
Motional Series Resistance	Cl	Table 1	ohm	
Level of Drive	—	Table 2	μW	
Load Capacitance	CL	12	pF	
Operating Temp. Range	T _{OPR}	-30~+85	°C	
Storage Temp. Range	T _{STG}	-40~+85	°C	

* Taping packing : one unit 1,000pcs & 3,000pcs
* Please inquire about specifications other than the above.

Table1 Motional Series Resistances

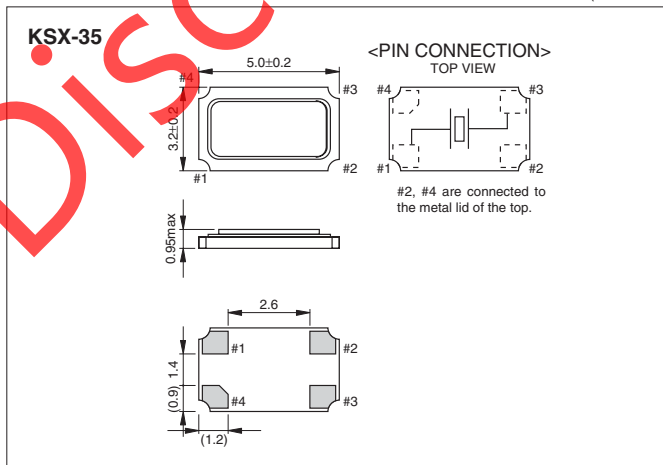
Frequency Range	Motional Series Resistance	Units
12600~18999kHz	60Max	ohm
11000~25999kHz	50Max	
26000~27820kHz	40Max	

Table2 Level of Drive

Frequency Range	Level of Drive	Units
12600~27820kHz	10(Max 100)	μW

Dimensions

(Unit : mm)



Recommended Land Pattern

(Unit : mm)

