



Features (MSB series)

- Small and light
- High durability
- Excellent temperature stability ($\pm 0.3\%$)

Applications

- Clock for micro computer
- Clock for telephone unit
- Frequency synthesizer unit
- Voice synthesizer
- Motor control

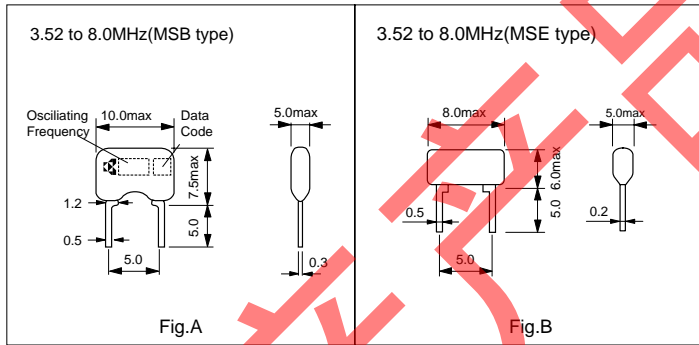
How to Order

KBR - 4.0 MSB TR
 ① ② ③ ④

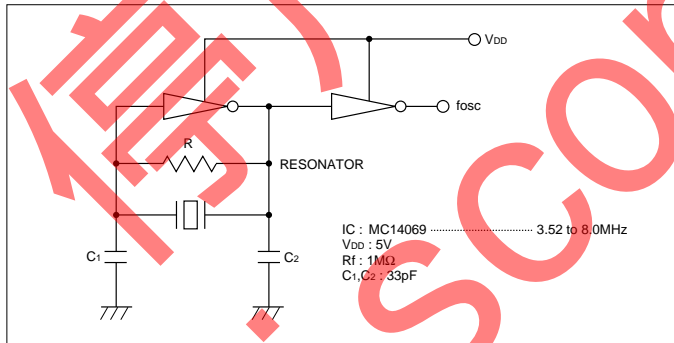
- ① Series
- ② Oscillating frequency (MHz)
- ③ Type of element
Please see Specifications
- ④ Packaging
NIL : Bulk
TR : Tape & Reel 2000pcs/φ360Reel
TF : Ammopack

Dimensions

(Unit : mm)



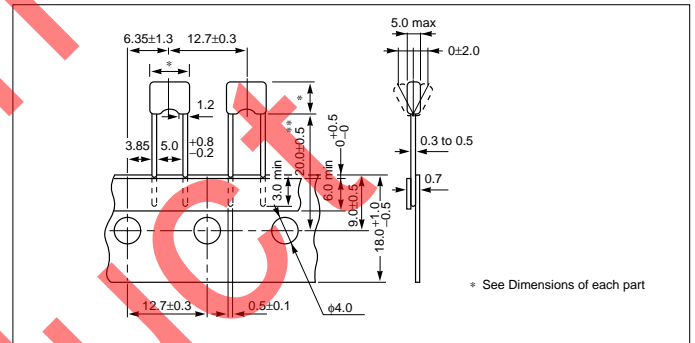
Test Circuit



Remark) C1 & C2 are referenced capacitance value to measure each parameter under above test circuit (IC : Motorola 4069)
 C1 & C2 values would be modified depend upon various I.C. to be used for the test.

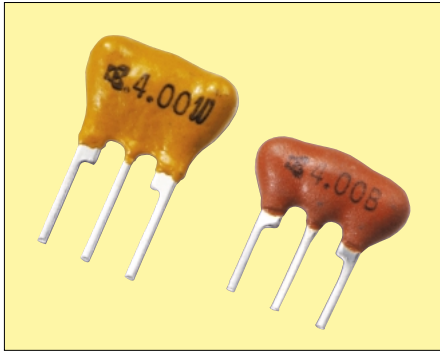
Taping

(Unit : mm)



Specifications

Series	Frequency Range (MHz)	Fig.	Frequency Tolerance	Temperature Stability (-20 to 80°C)	Main Frequencies (MHz)	Taping
KBR-□MSB	3.52 to 8.00	Fig. A	±0.5%	±0.3%	3.58, 4.00, 4.19, 5.00, 6.00	Available
KBR-□MSE	3.52 to 8.00	Fig. B	±0.5%	±0.5%	3.58, 4.00, 4.19, 5.00	—



Features

- Component (Capacitor) cost and space saving
- Mounting cost saving
- High density mounting possible

Applications

- Clock for micro computer
- Telephone
- Frequency synthesizer
- Voice synthesizer IC
- Motor control unit
- Remote controller

How to Order

KBR - 4.0 MKC TR
 ① ② ③ ④

- ① Series
- ② Oscillating Frequency (MHz)
- ③ Type

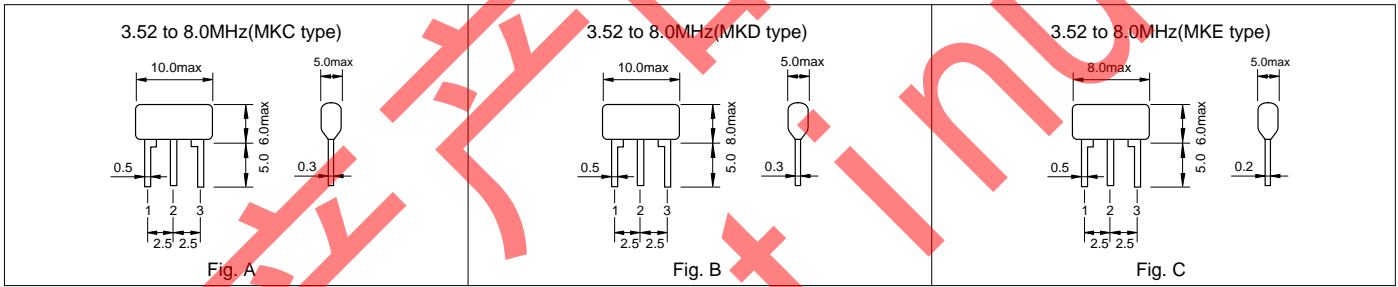
MKC	Capacitor built-in low profile type
MKD	Capacitor built-in washable type
MKE	Capacitor built-in small type

④ Packaging

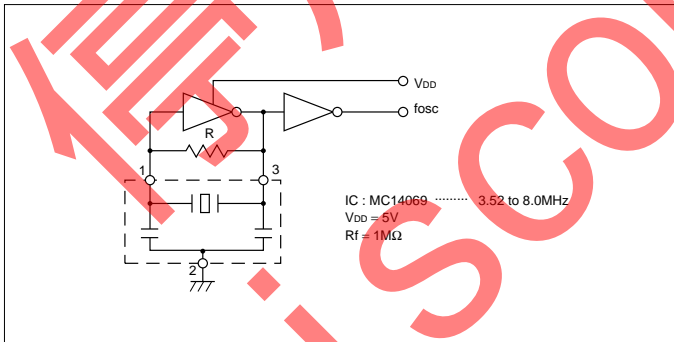
NIL	Bulk
TR	Tape & Reel 2000pcs/φ360 Reel
TF	Ammopack

Dimensions

(Unit : mm)

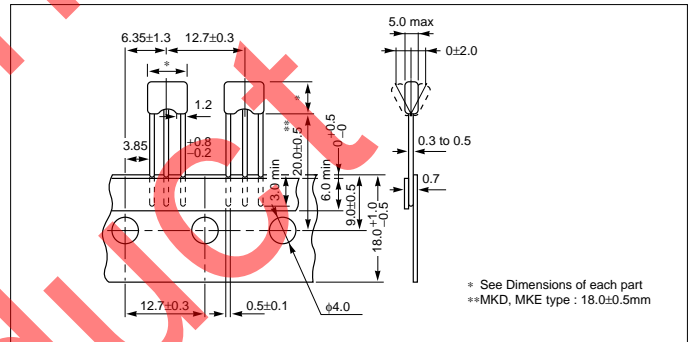


Test Circuit



Taping

(Unit : mm)



Specifications

Series	Frequency Range (MHz)	Fig.	Frequency Tolerance	Temperature Stability (-20 to 80°C)	Main Frequencies (MHz)	Taping
KBR-□MKC	3.52 to 8.00	Fig. A	±0.5%	±0.5%	3.58, 4.00, 4.19 5.00, 6.00, 8.00	Available
KBR-□MKD	3.52 to 8.00	Fig. B	±0.5%	±0.5%	3.58, 4.00, 4.19 5.00, 6.00, 8.00	Available
KBR-□MKE	3.52 to 8.00	Fig. C	±0.5%	±0.5%	3.58, 4.00, 4.19 5.00, 6.00, 8.00	Available

Please contact your local AVX sales office for custom frequency.