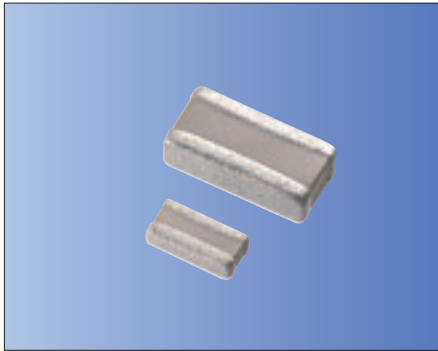


[RoHS Compliant Products]



RoHS Compliant

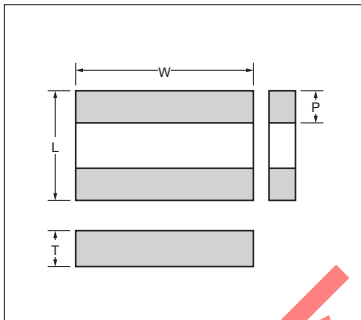
Features

- The length to width ratio is reversed from the normal type and lower inductance is realized by making the path of a current loop small.
- The noise removal nature in high frequency is superior, so that it fits power-supply decoupling of IC.

Applications

- MPU, GPU, ASIC, FPGA, High speed memory, etc.

Dimensions



X7S Dielectric

Size (EIA Code)	CL05 (0204)	CL105 (0306)
Rated Voltage (VDC)	4	4
Capacitance (pF)		
104	22000 47000 100000	220000 470000 1000000
105		

Capacitances other than indicated in the above chart are optional.
 Optional Spec.

Code	JIS CODE	EIA CODE	Dimensions (mm)			
			L	W	T	P
CL05	0510	0204	0.5±0.05	1.0±0.05	0.3±0.05	0.18±0.08
CL105	0816	0306	0.8±0.15	1.6±0.15	0.5±0.1	0.25±0.15

Two digits alphanumeric in capacitance chart denote dimensions and tan δ. Please refer to the below table for detail.

Thickness and standard package quantity

Size (EIA Code)	CL05 (0204)	CL105 (0306)
Thickness (mm)	A 0.3±0.05	B 0.5±0.1
Taping (180 dia reel)	10kp (P8/2)	4kp (E8/4)
Taping (330 dia reel)	50kp (P8/2)	10kp (E8/4)

Note: Taping denotes the quantity packaged per reel (kp means 1000 pcs.). P8 in parenthesis denotes 8mm width paper tape; E8 denotes 8mm width plastic tape; E12 denotes 12mm width plastic tape. "/1" after slash in parenthesis denotes 1mm pitch; "/2" does 2mm pitch; "/4" does 4mm pitch.

Tan δ Code	Tan δ
8	12.5% max.

停产
Discontinued Product