

KYOCERA Tuning Fork Crystal units "DT2012SB series"
Tentative spec sheet

KYOCERA Part Number : DT2012SB32768H5HPWAA(CL=12.5pF)
DT2012SB32768E0HPWAA(CL=9.0pF)
DT2012SB32768C0HPWAA(CL=7.0pF)

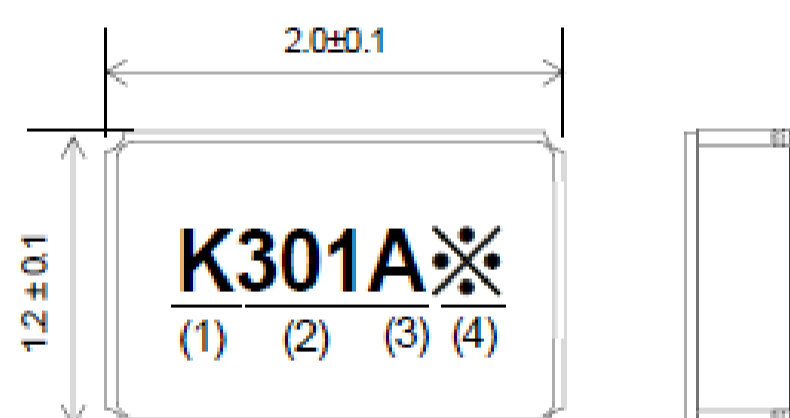
Electrical Characteristics

No.	Item	Symbol	Unit	Min.	Typ.	Max.	Notes
1	Package area	-	mm ²	2.0×1.2			
2	Nominal Frequency	fo	kHz	32.768			Ta = 25°C
3	Frequency Tolerance	df/fo	ppm	-20	-	20	Ta = 25°C ± 3°C
4	Load Capacitance	CL	pF	-	12.5/9.0/7.0	-	
5	Equivalent series resistance	R1	kΩ	-	-	80	
6	Q-Value	Q		-	16000	-	
7	Motional capacitance	C1	fF	-	5.4	-	
8	Shunt capacitance	Co	pF	-	1.3	-	
9	Turning point	Tp	°C	20	25	30	
10	Secondary temperature Coefficient	K	10 ⁻⁶ /C ²	-	-	-0.04	
11	Aging	df/F	ppm/year	-5	-	5	Ta = 25°C
12	Drive level	DL	uW	-	0.1	0.5	
13	Insulation resistance(between electrodes)	IR	MΩ	500			DC 100 ± 15V

Appearances, Dimensions

Outline Dimensions(not to scale)

(TOP VIEW)

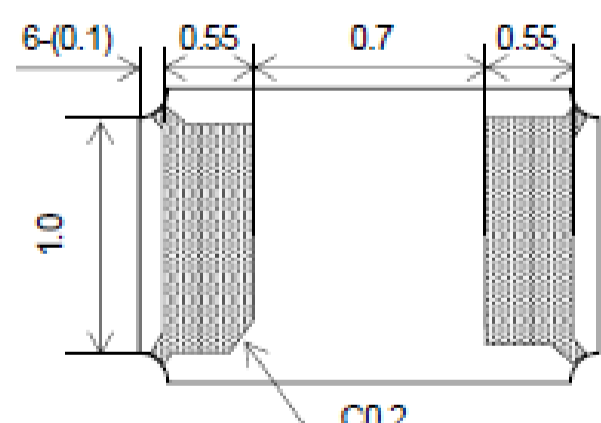


Unit : mm

(Side View)

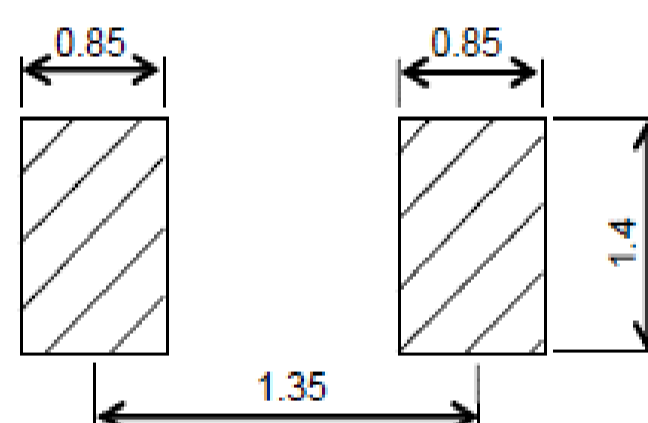


(Bottom View)



Recommended Land Pattern

Unit : mm



Marking

- (1) Identification : K
- (2) Date Code (3 Digits) : Last 1 digit of year and week Code.
(Ex) 2024.Jan.1 ' 401
- (3) Load Capacitance : 12.5pF : A / 9.0pF : B / 7.0pF : C
- (4) Manufacturing Location : Overseas "C" / Japan "T"

*The font of marking above is for reference purpose.