

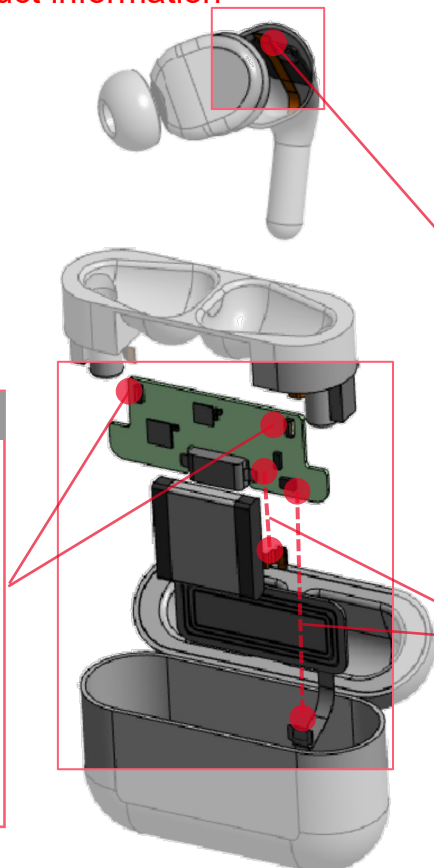




* Click the series number to check the product information

Main – Sub. PCB	
FPC/FFC Connectors Height: 0.85~0.95mm  <ul style="list-style-type: none"> ● 0.2mm Pitch 6866 Space-saving, Front-lock ● 0.3mm Pitch 6293 Lower-profile, Back-lock 6844 Space-saving, Front-lock ● 0.5mm Pitch 6277 Low pin count, Back-lock 6298 Low pin count, Back-lock 	Board to Board Connectors Stacking Height: 0.6mm  <ul style="list-style-type: none"> ● 0.35mm Pitch 5861 Power 5A, Lower-profile ● 0.4mm Pitch 5806 Space-saving



Main – Sub. PCB	
FPC/FFC Connectors Height: 0.85~0.95mm  <ul style="list-style-type: none"> ● 0.2mm Pitch 6866 Space-saving, Front-lock ● 0.3mm Pitch 6293 Lower-profile, Back-lock 6844 Space-saving, Front-lock ● 0.5mm Pitch 6277 Low pin count, Back-lock 6298 Low pin count, Back-lock 	Board to Board Connectors Stacking Height: 0.6mm  <ul style="list-style-type: none"> ● 0.35mm Pitch 5861 Power 5A, Lower-profile ● 0.4mm Pitch 5806 Space-saving

Battery, Wireless Charge	
Board to Board Connectors Stacking Height: 0.7mm 	<ul style="list-style-type: none"> ● 0.35mm Pitch 7129 Power 10A