

Datasheet of SAW Duplexer

2520 Band28 Rx filter for Base station

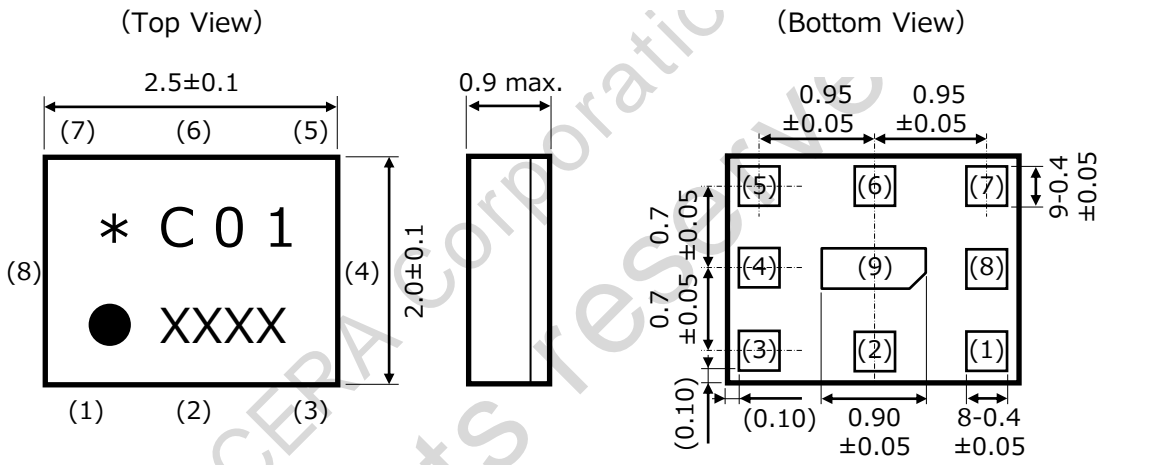
KYOCERA Part No. : SF25-0725R9UUA1

KYOCERA Corporation
All rights reserved

Rating

Items	Rating	Unit	Note
Operating Temperature Range	-40 to +105	deg.C	
Storage Temperature Range	-40 to +105	deg.C	Product only
Max Input Power	Rx Port:703-748MHz	+23	CW, Ta=105deg.C, 2hours
		+19	CW, Ta=105deg.C, 1000hours
		+14	CW, Ta=105deg.C, 100000hours
Ant Port Nominal Impedance	50 + La=5.1nH	ohm	Unbalance
Rx Port Nominal Impedance	50 + Lr=4.7nH	ohm	Unbalance

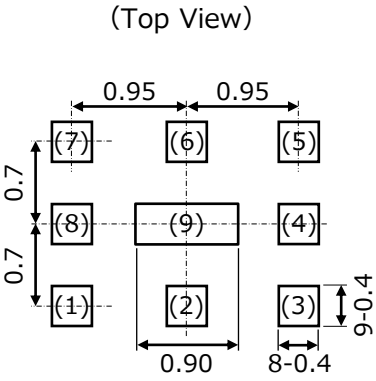
Dimensions



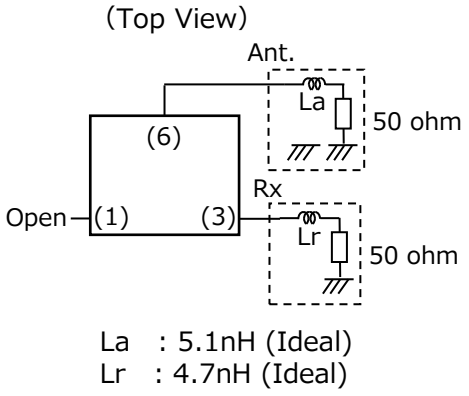
- * : Identification mark
- C01 : Identification no.
- : Index mark of pin 1
- XXXX : Production code

Pin No.	Function
(1)	Open
(3)	Rx
(6)	Ant
Others	GND

Recommendable Land Pattern



Measurement Circuit



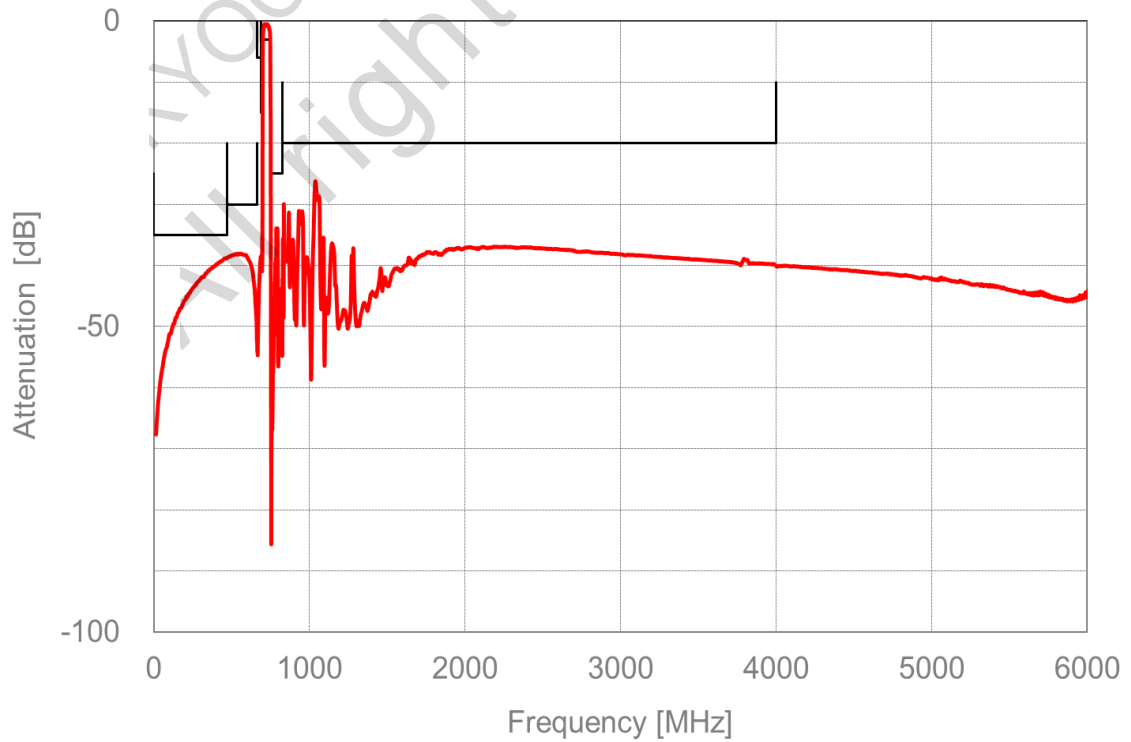
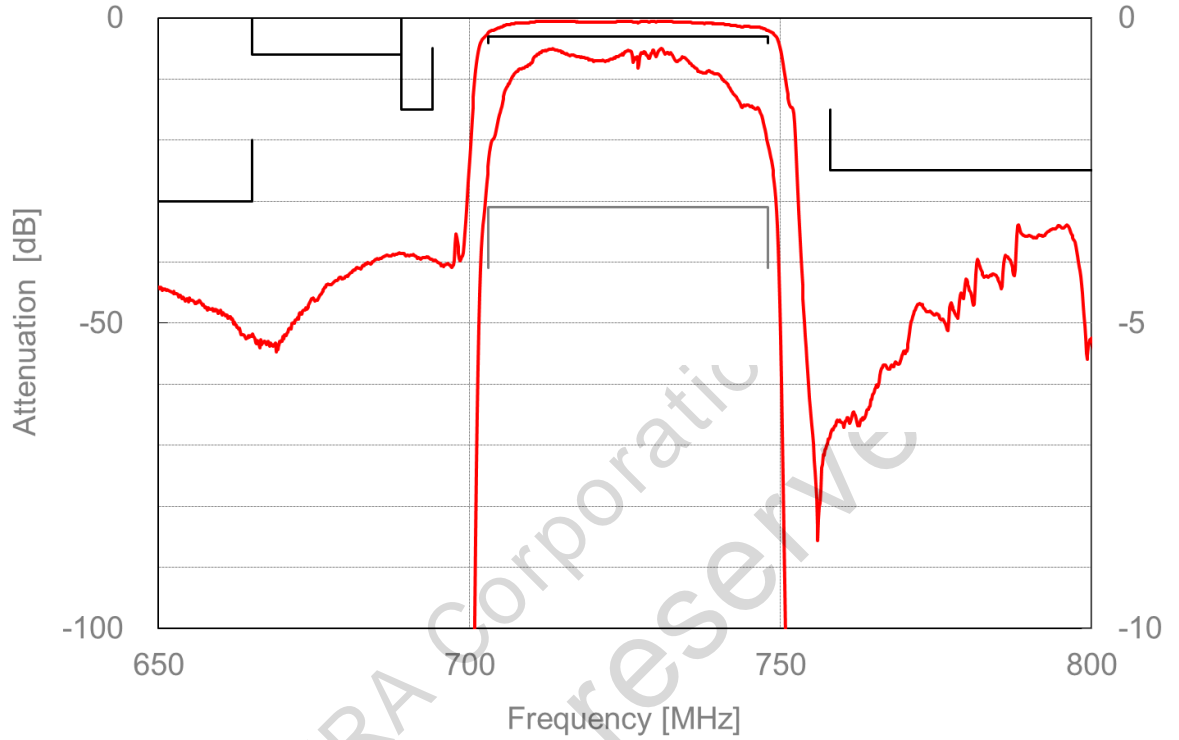
Electrical Characteristics

ITEMS	Frequency [MHz]	Unit	Specification			Note
			min.	typ.	max.	
Average Insertion Loss	703 - 748	dB	-	1.6	3.1	Average any 5MHz
Ripple	703 - 748	dB	-	1.6	7.5	
VSWR(Ant.)	703 - 748	-	-	1.7	3.0	
VSWR(Rx)	703 - 748	-	-	1.7	3.0	
Absolute Attenuation	0 - 470	dB	35	39	-	
	470 - 665	dB	30	38	-	
	665 - 689	dB	6	39	-	
	689 - 694	dB	15	36	-	
	697 - 702	dB	5	21	-	Average any 5MHz
	750 - 755	dB	3	14	-	Average any 5MHz
	758 - 826	dB	25	34	-	
	826 - 4000	dB	20	26	-	

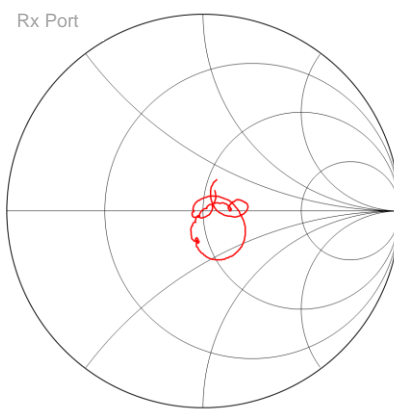
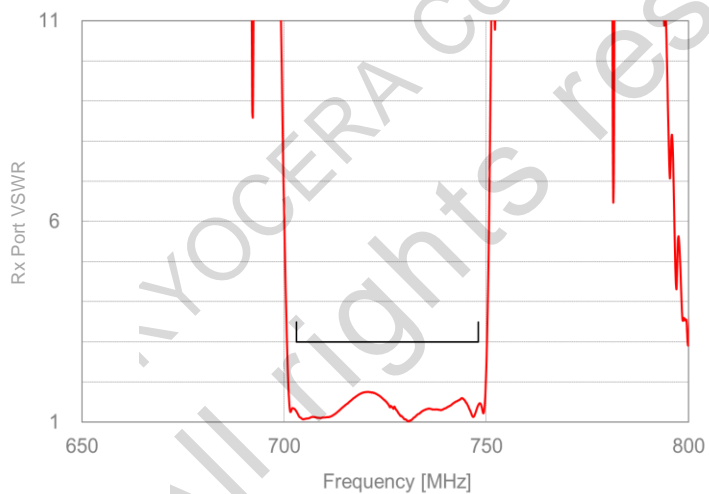
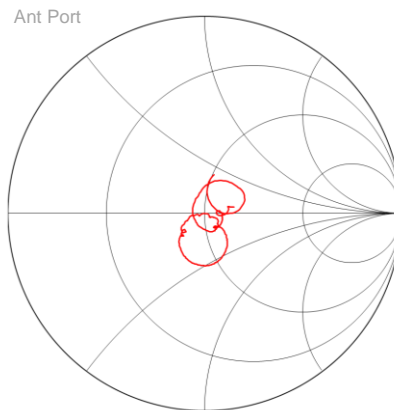
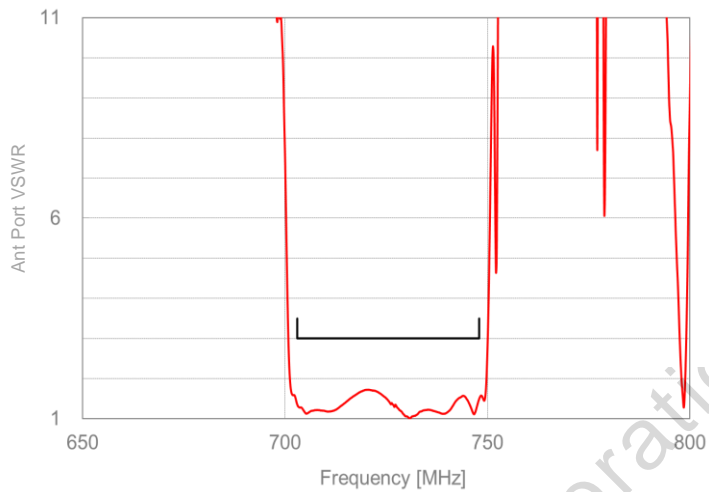
KYOCERA Corporation
 All rights reserved

Electrical Characteristics

[Ant ro Rx]

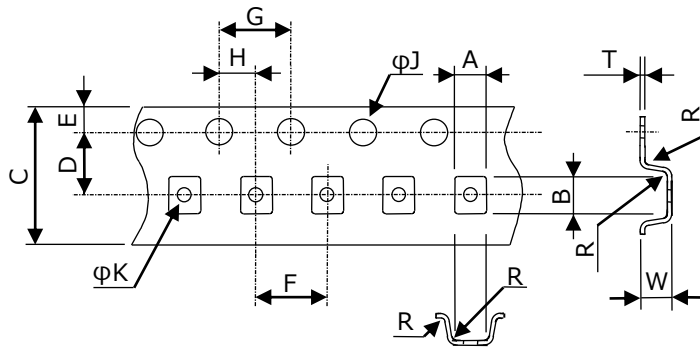


Electrical Characteristics



Tape & Reel Specification

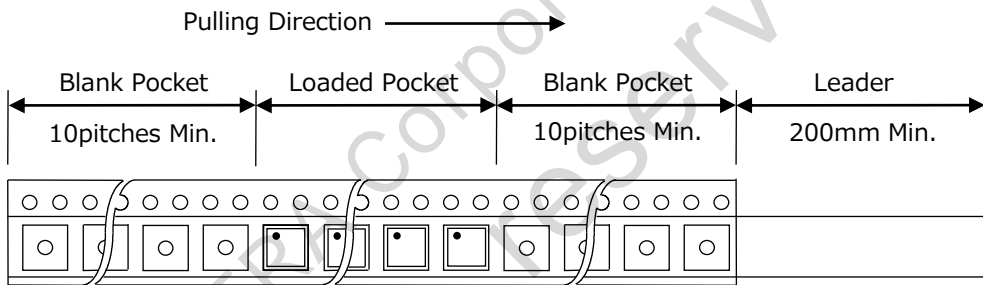
[Tape]



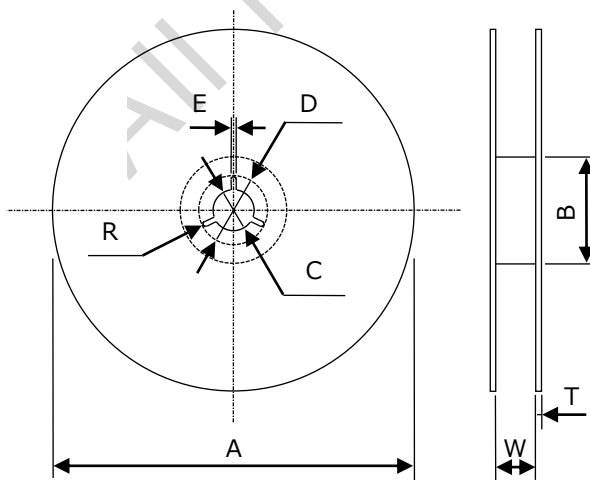
Unit : mm

Part	Dimension
A	2.3±0.1
B	2.8±0.1
C	8.0±0.1
D	3.50±0.05
E	1.75±0.10
F	4.0±0.1
G	4.0±0.1
H	2.00±0.05
φJ	1.5±0.1
φK	1.0±0.1
R	0.3 Max
W	0.9±0.1
T	0.20±0.05

W : Dimension is depth of pockets.



[Reel]



Unit : mm

Part	Dimension
A	178 ± 2
B	60 ± 2
C	13.0 ± 0.2
D	21.0 ± 0.8
E	2.0 ± 0.5
R	1
W	9.5 ± 1.0
T	2.0 ± 0.2

Notice

1. Characteristics described in this datasheet are for references specifications shall be based on written documents agreed by each party.
2. Contents in this datasheet are subject to change without notice. It is recommended to confirm the latest information at the time of usage. Also, this datasheet is revised once a year. We may not be able to accept requests based on old datasheets.
3. Products in this datasheet are intended to be used in general electronic equipment such as office equipment, audio and visual equipment, communication equipment, measurement instrument and home appliances. It is absolutely recommended to consult with our sales representatives in advance upon planning to use our products in applications which require extremely high quality and reliability such as aircraft and aerospace equipment, traffic systems, safety systems, power plant and medical equipment including life maintenance systems.
4. Even though we strive for improvements of quality and reliability of products, it is requested to design with enough safety margin in equipment or systems in order not to threaten human lives directly or damage human bodies or properties by an accidental result of products.
5. It is requested to design based on guaranteed specifications for such as maximum ratings, operating voltage and operating temperature. It is not the scope of our guarantee for unsatisfactory results due to misuse or inadequate usage of products in the datasheet.
6. Operation summaries and circuit examples in this datasheet are intended to explain typical operation and usage of the product. It is recommended to perform circuit and assembly design considering surrounding conditions upon using products in this datasheet.
7. Technical information described in this datasheet is meant to explain typical operations and applications of products, and it is not intended to guarantee or license intellectual properties or other industrial rights of the third party or Kyocera.
8. Trademarks, logos and brand names used in this datasheet are owned by Kyocera or the corresponding third party.
9. Certain products in this datasheet are subject to the Foreign Exchange and Foreign Trade Control Act of Japan, and require the license from Japanese Government upon exporting the restricted products and technical information under the law. Besides, it is requested not to use products and technical information in the datasheet for the development and/or manufacture of weapons of mass destruction or other conventional weapons, nor to provide them to any third party with the possibility of having such purposes.
10. It is prohibited to reprint and reproduce a part or whole of this datasheet without permission.