

Datasheet of SAW Duplexer

1814 Band13 Unbalanced

NS07 Band Care

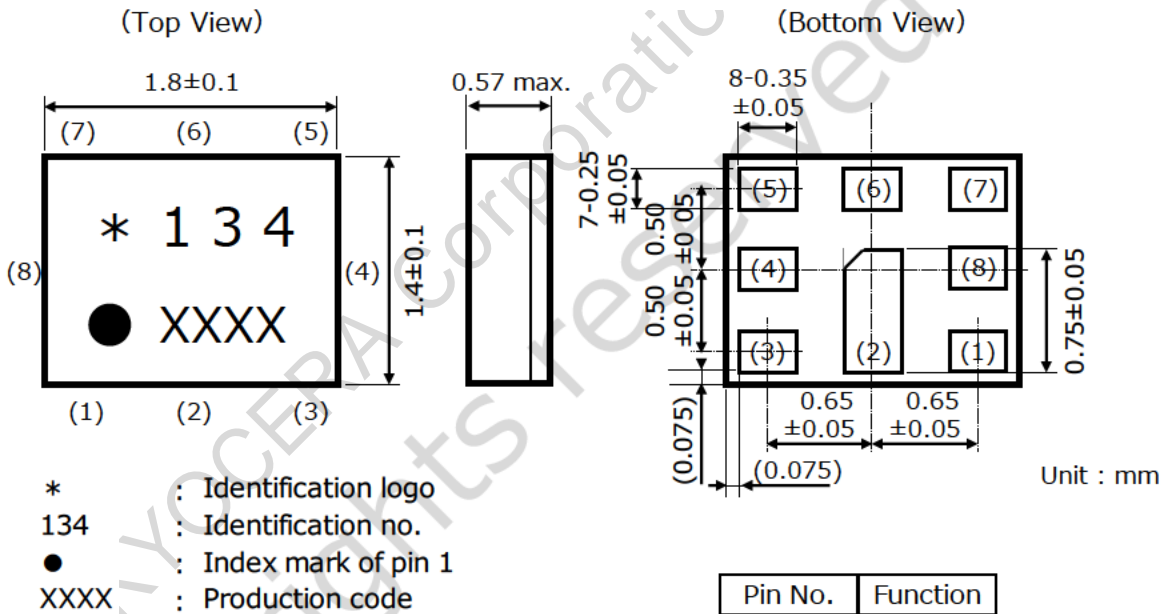
KYOCERA Part No. : SD18 0782R8UUF1

KYOCERA Corporation
All rights reserved

Rating

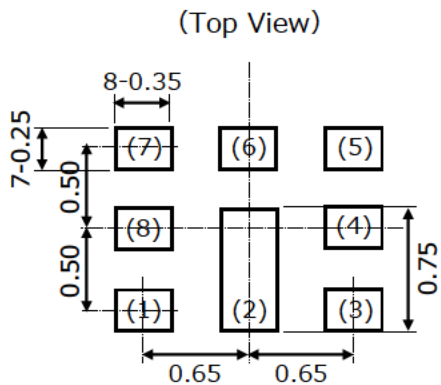
Items	Rating	Unit	Note
Operating Temperature Range	-20 to +90	deg.C	
Storage Temperature Range	-40 to +90	deg.C	
Max Input Power (Tx port)	+30	dBm	5,000hours, Ta=50deg.C, CW
Tx Port Nominal Impedance	50	ohm	Unbalance
Ant. Port Nominal Impedance	50+13nH//2.7pF	ohm	Unbalance
Rx Port Nominal Impedance	50	ohm	Unbalance

Dimensions

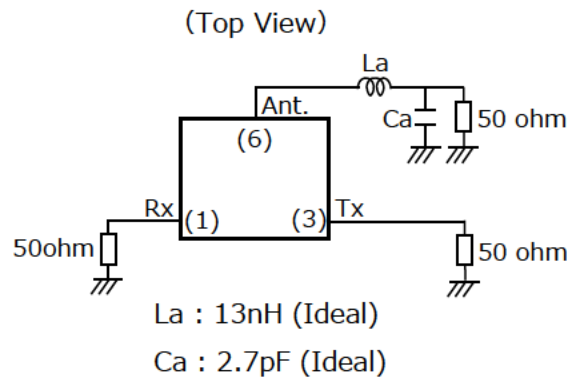


Pin No.	Function
(1)	Rx
(3)	Tx
(6)	Ant.
Others	GND

Recommendable Land Pattern



Measurement Circuit



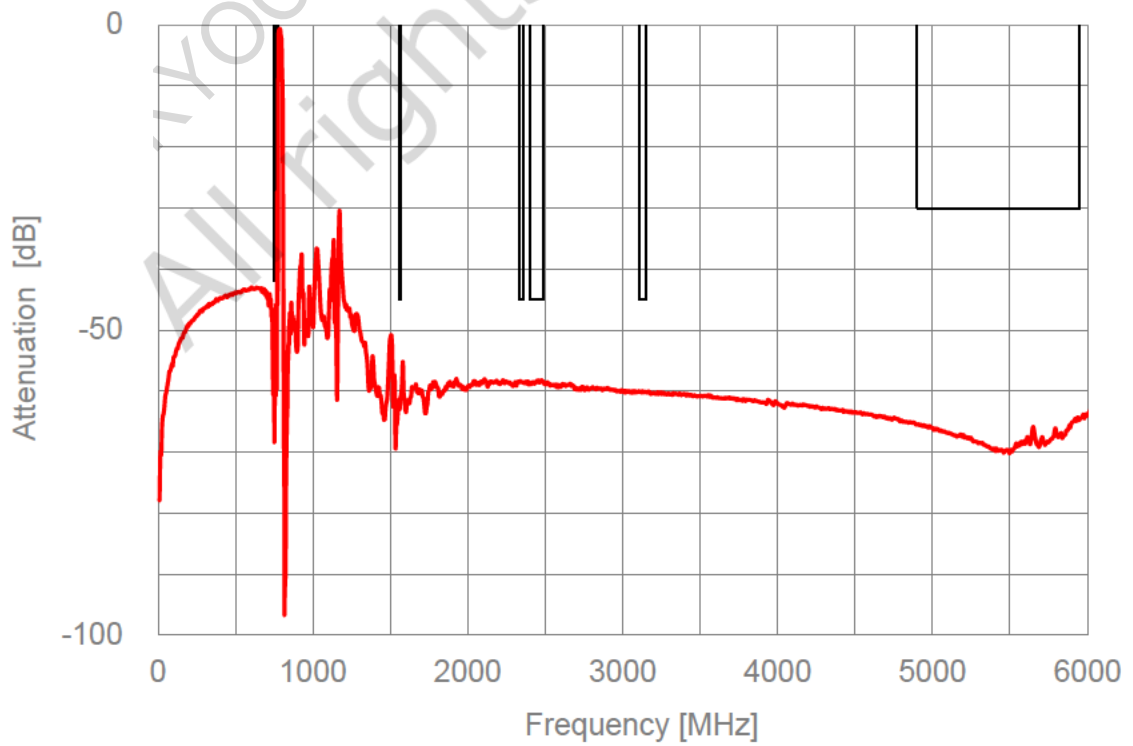
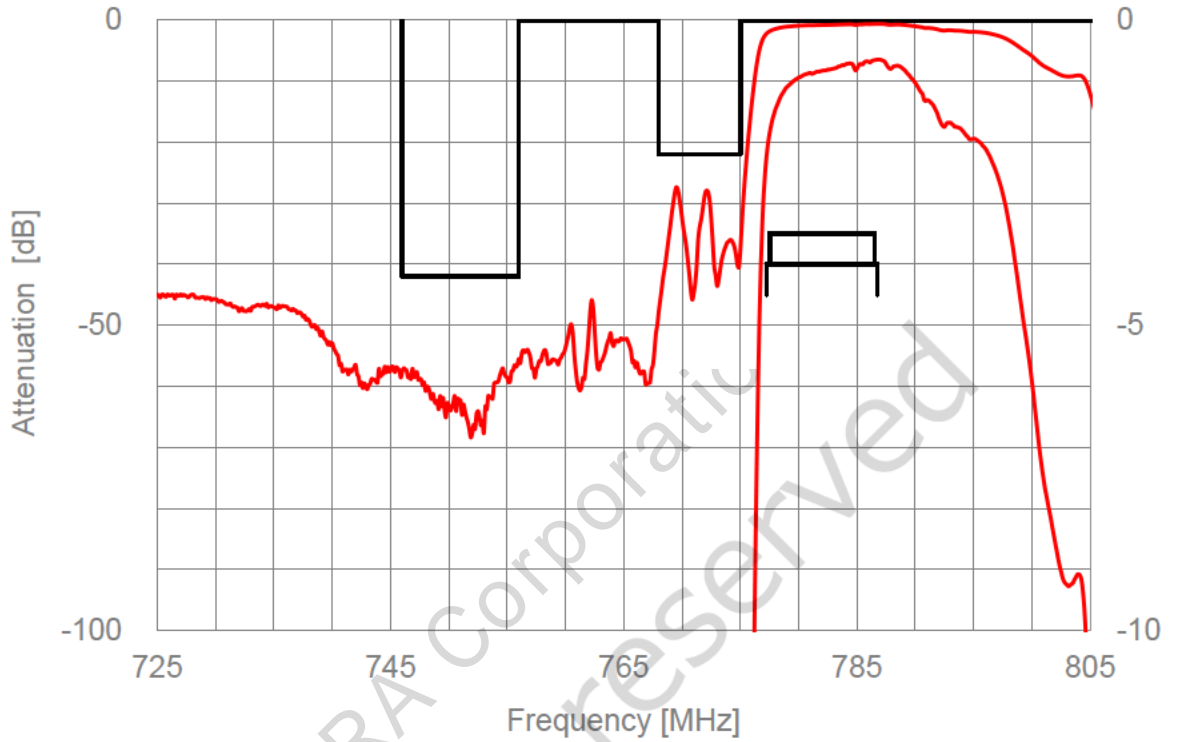
Electrical Characteristics

Items		Frequency (MHz)	Characteristics			Unit	Notes	
			min.	typ.	max.			
Tx to Ant	Nominal Frequency	-	782			MHz		
	Insertion loss	777.5 to 786.5	-	1.8	3.5	dB		
		777.25 to 786.75	-	2.1	4.0	dB		
	VSWR	Tx	777.5 to 786.5	-	1.2	2.1	-	
		Ant	777.5 to 786.5	-	1.2	2.1	-	
	Absolute attenuation	10 to 746	30	43	-	dB		
		746 to 756	42	56	-	dB	Rx	
		768 to 775	22 *	26 *	-	dB	NS07 Relative to IL(dBint*)	
		1554 to 1565	45	62	-	dB	2fTx	
2331 to 2361		45	58	-	dB	3fTx		
2400 to 2484		45	58	-	dB	ISM		
3108 to 3148	45	60	-	dB	4fTx			
4900 to 5950	30	64	-	dB	ISM 5G			
Ant to Rx	Nominal Frequency	-	751			MHz		
	Insertion loss	746 to 756	-	1.3	2.5	dB		
	VSWR	Rx	746 to 756	-	1.3	2.1	-	
		Ant	746 to 756	-	1.4	2.1	-	
	Absolute attenuation	777 to 787	50	56	-	dB	Tx	
2400 to 2500		40	63	-	dB	ISM 2.4G		
4900 to 5950		40	65	-	dB	ISM 5G		
Tx to Rx Isolation	Isolation	746 to 756	52	57	-	dB		
		777 to 787	55	59	-	dB		

*dBint : Integrated to LTE Modulation (4.5MHz)

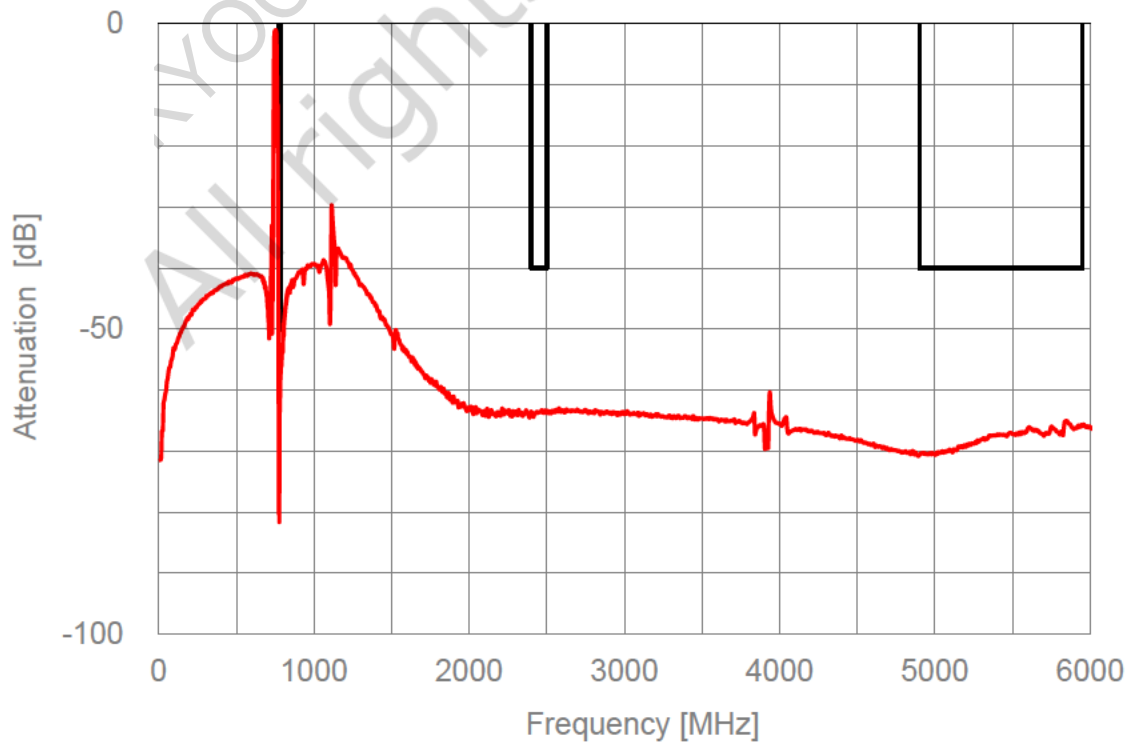
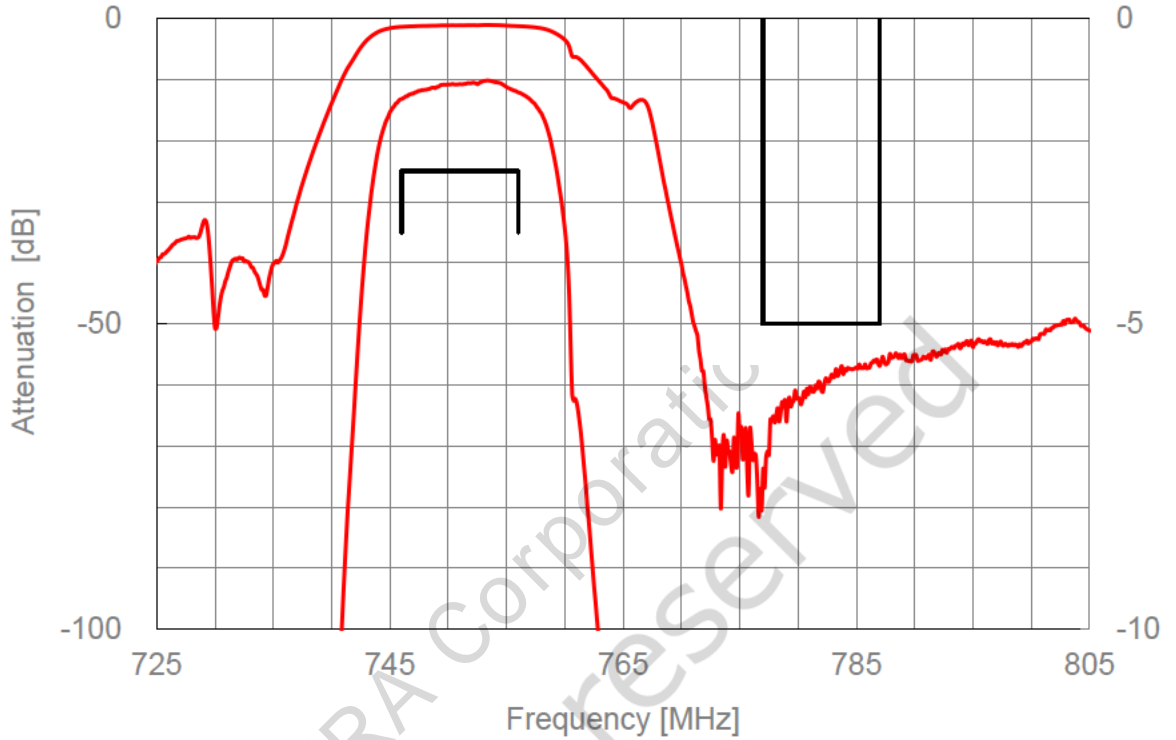
Electrical Characteristics

[Tx to Ant]



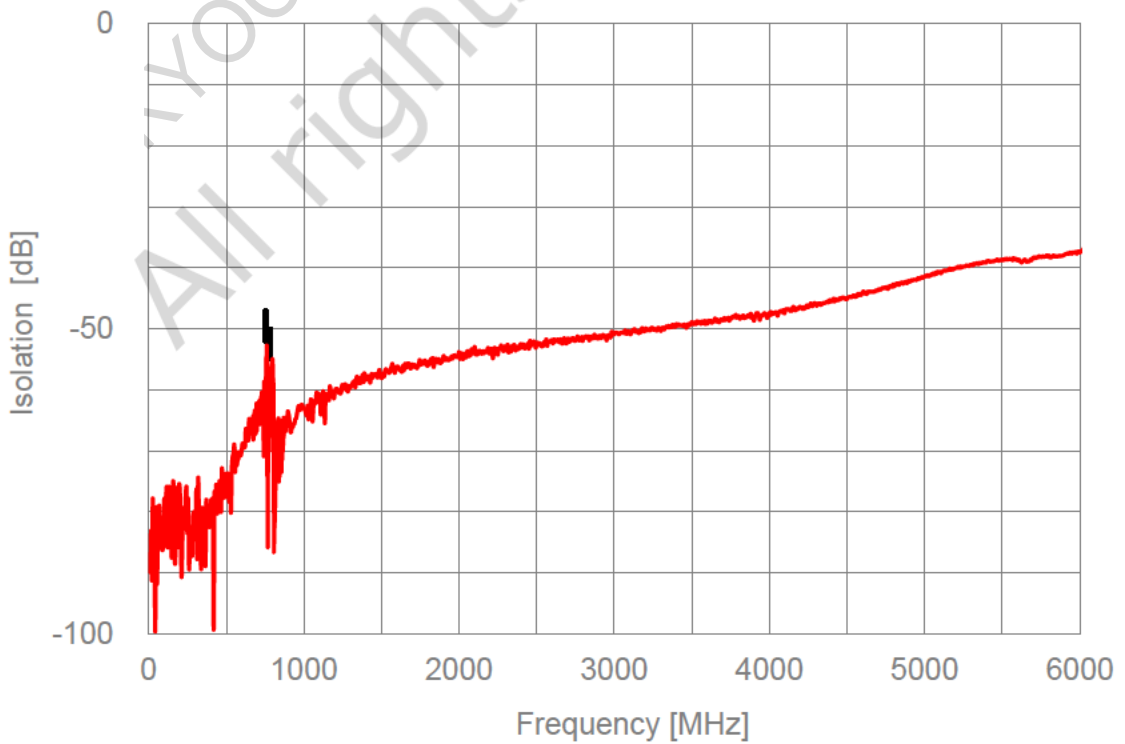
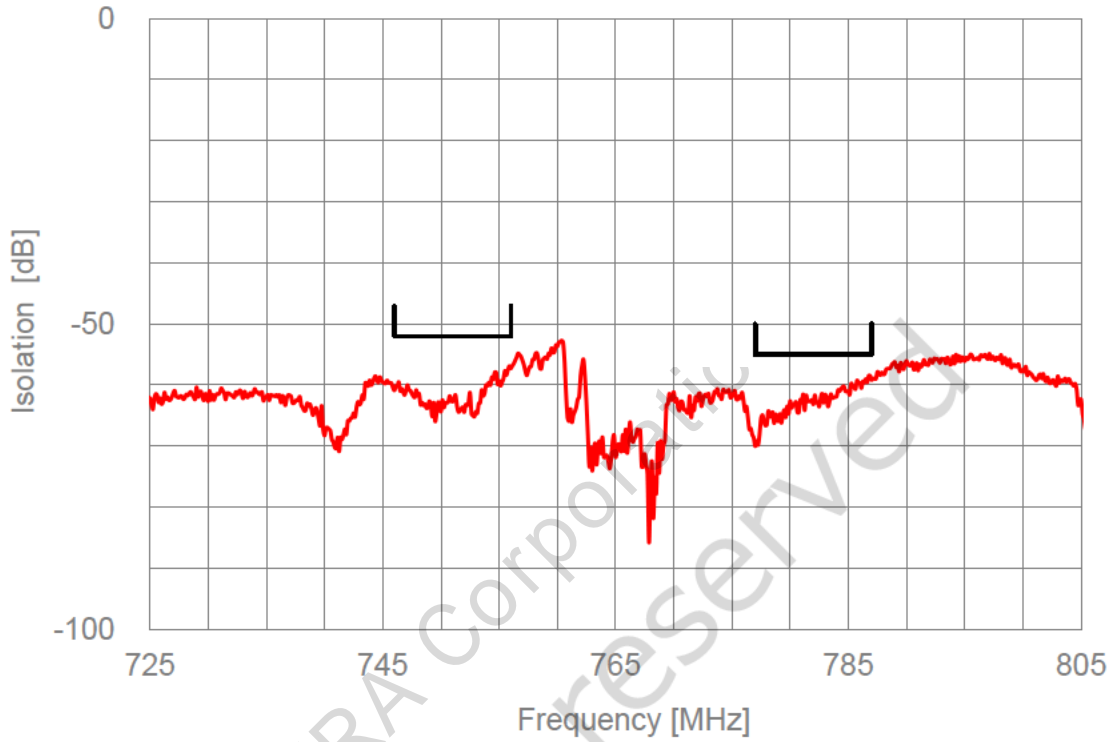
Electrical Characteristics

[Ant to Rx]

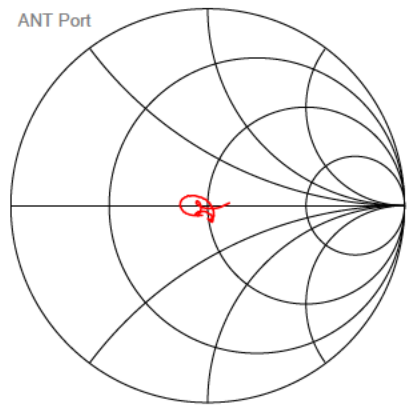
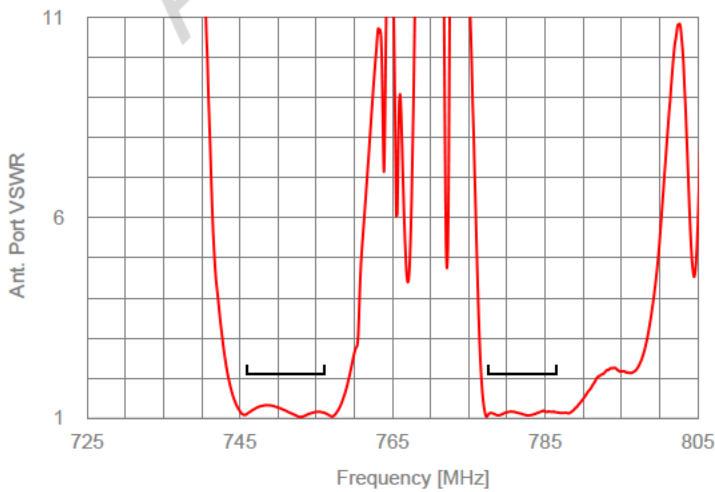
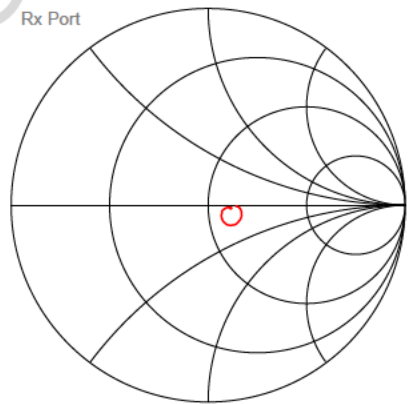
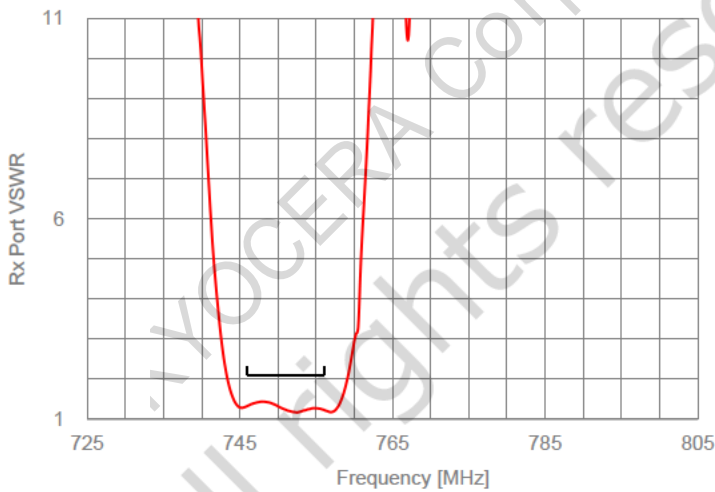
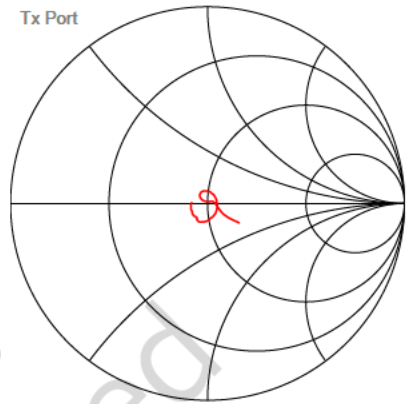
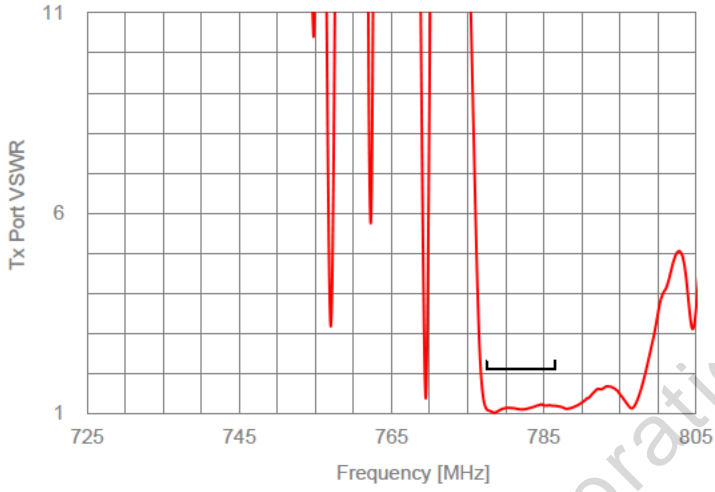


Electrical Characteristics

[Tx to Rx]

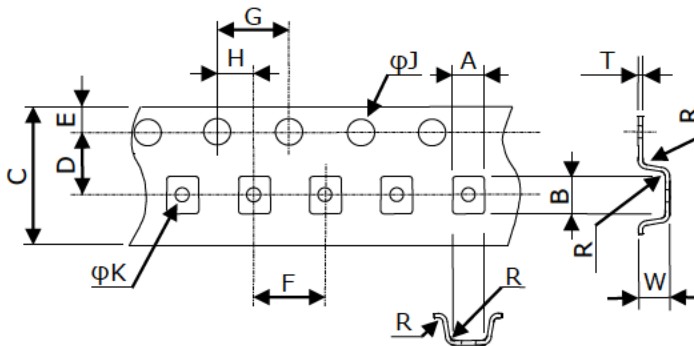


Electrical Characteristics



Tape & Reel Specification

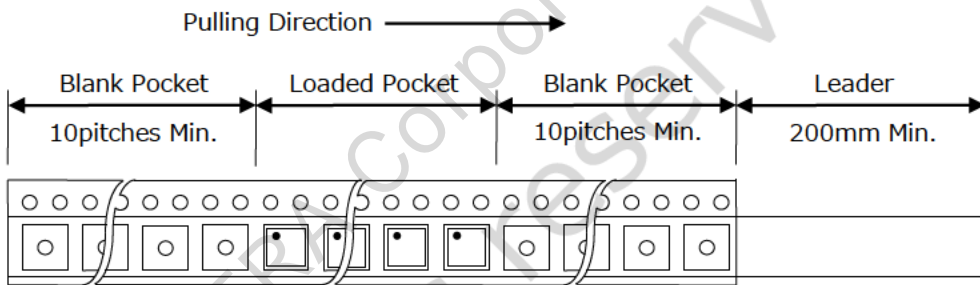
[Tape]



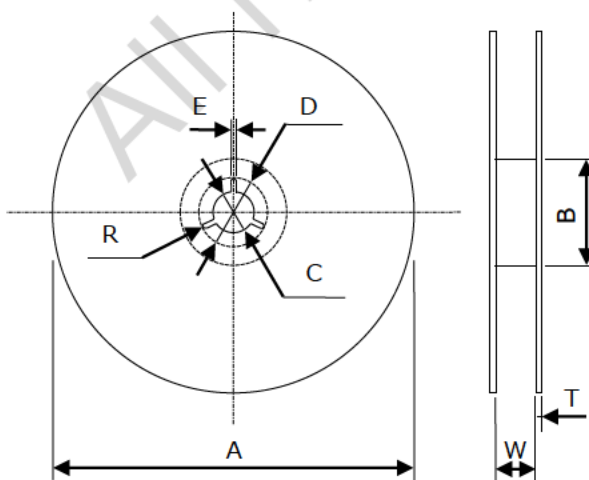
Unit : mm

Part	Dimension
A	1.7±0.1
B	2.05±0.10
C	8.0±0.2
D	3.50±0.05
E	1.75±0.10
F	4.0±0.1
G	4.0±0.1
H	2.00±0.05
φJ	1.5+0.1/-0
φK	0.80±0.05
R	0.2 Max
W	0.7±0.1
T	0.20±0.05

W : Dimension is depth of pockets.



[Reel]



Unit : mm

Part	Dimension
A	178 ± 2
B	60 ± 2
C	13.0 ± 0.2
D	21.0 ± 0.8
E	2.0 ± 0.5
R	1
W	9.5 ± 1.0
T	2.0 ± 0.2

Notice

1. Characteristics described in this datasheet are for references specifications shall be based on written documents agreed by each party.
2. Contents in this datasheet are subject to change without notice. It is recommended to confirm the latest information at the time of usage. Also, this datasheet is revised once a year. We may not be able to accept requests based on old datasheets.
3. Products in this datasheet are intended to be used in general electronic equipment such as office equipment, audio and visual equipment, communication equipment, measurement instrument and home appliances. It is absolutely recommended to consult with our sales representatives in advance upon planning to use our products in applications which require extremely high quality and reliability such as aircraft and aerospace equipment, traffic systems, safety systems, power plant and medical equipment including life maintenance systems.
4. Even though we strive for improvements of quality and reliability of products, it is requested to design with enough safety margin in equipment or systems in order not to threaten human lives directly or damage human bodies or properties by an accidental result of products.
5. It is requested to design based on guaranteed specifications for such as maximum ratings, operating voltage and operating temperature. It is not the scope of our guarantee for unsatisfactory results due to misuse or inadequate usage of products in the datasheet.
6. Operation summaries and circuit examples in this datasheet are intended to explain typical operation and usage of the product. It is recommended to perform circuit and assembly design considering surrounding conditions upon using products in this datasheet.
7. Technical information described in this datasheet is meant to explain typical operations and applications of products, and it is not intended to guarantee or license intellectual properties or other industrial rights of the third party or Kyocera.
8. Trademarks, logos and brand names used in this datasheet are owned by Kyocera or the corresponding third party.
9. Certain products in this datasheet are subject to the Foreign Exchange and Foreign Trade Control Act of Japan, and require the license from Japanese Government upon exporting the restricted products and technical information under the law. Besides, it is requested not to use products and technical information in the datasheet for the development and/or manufacture of weapons of mass destruction or other conventional weapons, nor to provide them to any third party with the possibility of having such purposes.
10. It is prohibited to reprint and reproduce a part or whole of this datasheet without permission.